



**Catalog Number** See Table  
**UPC Number**  
**Description** Aluminum Parallel Groove Clamp  
 #10 - 400 MCM

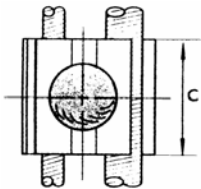


- Features**
- Manufactured from Thermally Treated Extruded Aluminum Alloy
  - Steel Galvanized Set Screws
  - Feed /Tap Configuration for Low Voltage Power Distribution

**General**

Material Extruded Aluminum Alloy  
 Screw Type Galvanized Steel  
 Screw Thread  
 Wire Range #10 awg - 400 MCM

**Dimension Information**  
 See Table



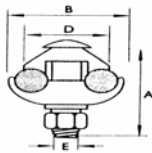
**Specifications**

Temperature Rating  
 Voltage Rating 600  
 Flammability Rating  
 Amp Rating

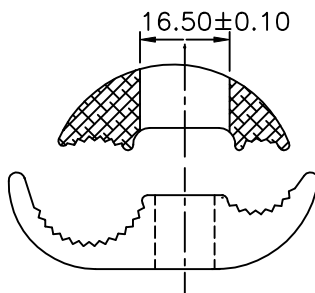
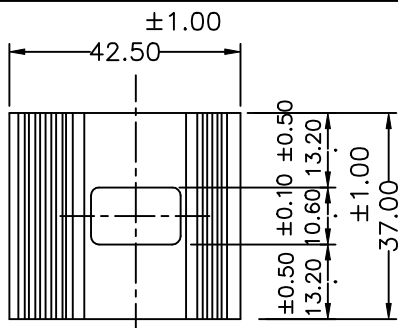
**Packaging**  
 Box Qty See Table

**Certifications**

UL N/A  
 cUL N/A  
 RoHS N/A

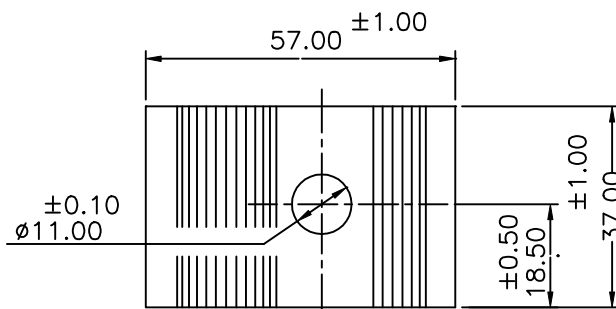


Cat No.	Figure	Main			Tap			Inches					Box Qty
		CU-AL	ACSR	Wire Diameter	Cu-AL	ACSR	Wire Diameter	A	B	C	D	E	
96012	1	10-1/0	6-1/0	.102-.398	10-2	6-2	.102-.325	1.5	1.5	1.24	1.14	0.394	50
96016	1	10-2/0	6-1/0	.098-.417	10-2/0	6-1/0	.098-.417	1.5	1.5	1.24	1.14	0.394	50
96020	1	1/0-4/0	1/0-4/0	.373-.563	8-1/0	6-1/0	.128-.398	1.97	1.89	1.46	1.5	0.394	50
96024	1	1/0-397.5	1/0-336.4	.373-.720	6/2/0	6-1/0	.162-.417	2.36	2.24	1.67	1.67	0.394	50
96028	1	397.5-400	397.5	.728-.740	397.5-400	397.5	.728-.740	2.36	2.56	1.57	1.97	0.472	50



**MARKING**

A-1/0-397,5 CA Cu  
 1/0-336,4 CAA  
 GPAL-80-1  
 B-F.6-2/0 CA Cu  
 6-1/0 CAA



Note 1: Conectors are Pre Filled with anti-oxide compound

Ref.: **NORMAL**

Dimensions in mm.

05	Pressure Washer M 10	01	STEEL SAE 1060/1070 Hot Galvanized		
04	Hex Nut M10 x 1.50	01	STEEL SAE 1010/1020 Hot Galvanized		
03	Round Head Bolt M10x1.50x60.00	01	STEEL SAE 1010/1020 Hot Galvanized		
02	Female Profile	01	Aluminium alloy		
01	Male Profile	01	Aluminium alloy		

			ITEM	DENOMINATION	QTY	MATERIAL	P.L. (unit.)	P.B. (unit.)
08		06/11/98	Morris Products Inc.					
07		06/05/98	53 Carey Rd.					
06	INCL. REF. CELG	01/10/96	Queensbury, NY 12804					
05		06/09/95			Date	No <b>96024</b>		
04		02/06/95			06/05/98			
No		Date						
Revisions			Appv'l		06/05/98	01 DE: 01		