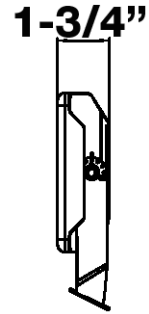
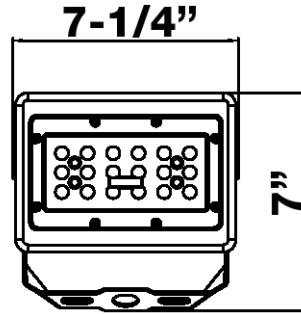




LED FLOODLIGHT 30W, 5000K BRACKET MOUNT



Features:

Die-Cast Aluminum Housing

Aluminum Heat Sink, Customized Fin Design
for Optimal Heat Dissipation

Heat Resistant Directed Optics

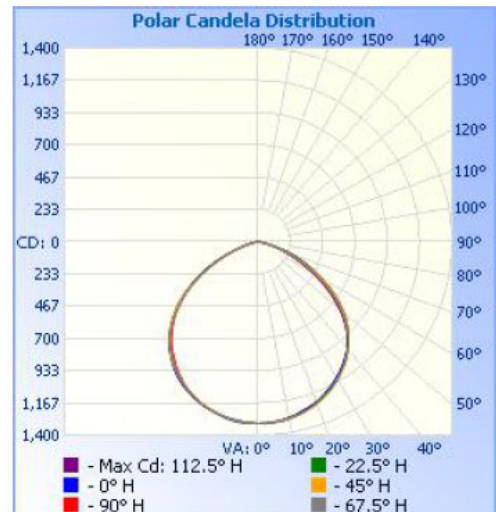
4KV Surge Protection

IP65 Outdoor Rated

Seoul 3030 LED's

Part#	Housing Color	Wattage	Lumens	CCT	Voltage	CRI	Light Pattern	Lumens/Watt	DLC PRODUCT ID#
71804A	White	30	3432	5000	120-277	80	7H7V	116	PLH391VVYPPK

PHOTOMETRY





LED FLOODLIGHT

30W, 5000K

BRACKET MOUNT

Technical Specifications:

Electrical:

Input Voltage: 120 thru 277

Current: .25A @ 120V

Frequency: 50/60Hz

Power Factor: ≥ 0.9

THD: 15%

Product Parameters:

30 Watts

Lumens: 3432

Efficacy: 116 Lumens Per Watt

50,000+ LED Life Span

CCT: 5000K (Cool White)

Chromaticity Measurements:

Beam Angle: 110°

BUG Rating: B2 U0 G0

CRI: >80

R9: 24

DUV: .0001

Chromaticity (x,y): $x=0.3284$; $y=0.3377$

Chromaticity (u,v): $u=0.2054$; $v=0.4752$

Component Specifications:

LED: Seoul SMD3030

Driver: 100-277V 50-60HZ

Driver Output Volts: 36V

Driver Output Amps: 730mA

Dimming: N/A

Operating Temperature:

Minimum Starting -40°F - 122°F

Construction:

Housing: Die Cast Aluminum

Powder Coated White

IP Rating: IP65

Lens Material: Polycarbonate

Mounting: Bracket Mount Included

Listings: UL Listed

Carton Qty: 1

Weight: 1.87 lb

Warranty:

Morris Products carries a 5 year warranty from date of purchase against defects in materials and workmanship (assuming normal and proper usage).