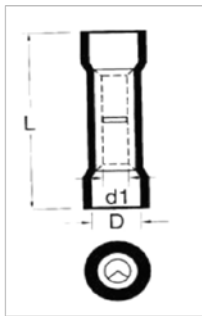




Catalog Number 12130
UPC Number 60198612130
Description Vinyl Insulated Butt Splice Connector
6 AWG



Features

- Color Coded insulation for easy identification
- Manufactured from high strength tubular copper alloy
- Electro-tin plated for corrosion resistance
- Easy entry expanded insulation eliminates strand “Hang Up”, increases the crimping rates and the reliability of the termination
- Wire range stamped on the surface for easy interpretation
- Funneled barrel & flared insulation sleeve provides excellent contact & mechanical stress relief at insulation & barrel junction

General

Insulation Type Vinyl
Material Tubular Copper
Finish Electro-Tin Plated
Color Blue
Wire Range 6
Stud Size N/A

Dimension Information

L Inches (mm) 1.772
D Inches (mm) 0.413
D1 Inches (mm) 0.232

Specifications

Temperature Rating 75°C
Voltage Rating 600 V
Flammability Rating UL94V-O
Amp Rating 6 AWG 95 Amps

Packaging

Bag Qty 100
Master Bag Qty 1000

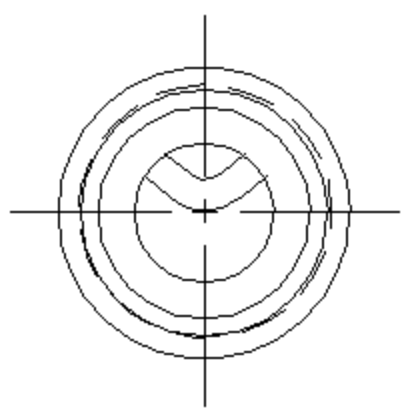
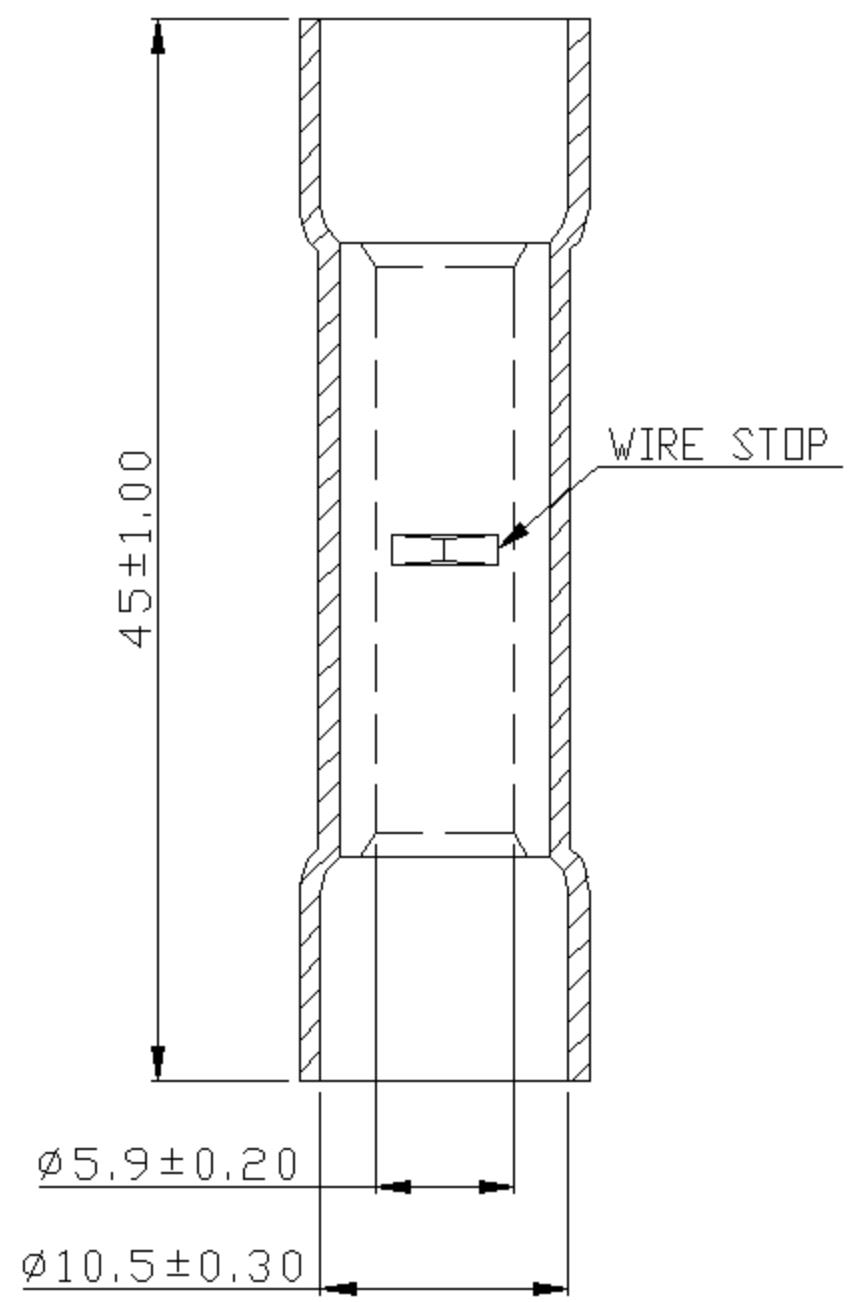
Certifications

UL Yes
cUL Yes
RoHS Yes

Morris Products 53 Carey Road, Queensbury, NY 12804
www.morrisproducts.com



REV	DESCRIPTION	DATE
-----	-------------	------



- NOTE:
1. MAXIMUM ELECTRIC CURRENT :

A.W.G.	6		
AMP.	95		
 2. MAXIMUM ELECTRICAL RATING : 75°C 600 VOLTS MAX.
 3. INSULATION MATERIAL : VINYL
 4. INSULATION COLOR : BLUE
 5. CONNECTOR MATERIAL : COPPER TUBULAR
 6. WIRE RANGE : 6 A.W.G.(14 mm²)
 7. TERMINALS SURFACE TREATMENT : TIN PLATED

Tolerance Unless Otherwise Specified			
0 > 6 mm	± 0.20	ANGLE	
6 > 18 mm	± 0.30	0° >	° REF ±
18 > 30 mm	± 0.40	° >	° ±
30 > 75 mm	± 0.50	° >	° ±

NAME	VINYL-INSULATED BUTT SPLICE CONNECTORS			UNIT	mm	
PART NO.	12130	MATERIAL	-----	APPROVE		
NUMBER	KA-95827-C	SCALE	SHEET	PAGE	CHECKED	
DATE	2006/07/14	2/1	1-0	10F1	DRAWN	

Morris Products Inc