



Catalog Number 11752
UPC Number 60198611752
Description Non-Insulated Flanged Fork Spade Terminals
 16-14 AWG



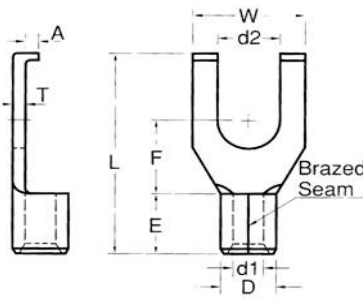
Features

Manufactured from high strength copper alloy
 Electro-tin plated for corrosion resistance
 Wire range stamped on the surface for easy interpretation
 Brazed seam prevents splitting under maximum pressure
 Serrated barrel provides excellent electrical contact and pull-out resistance characteristics at barrel
 Flanged tabs on Tang for increased pull-out force resistance

General

Insulation Type N/A
Material Copper
Finish Electro-tin plated
Color N/A
Wire Range 16-14 AWG
Stud Size #8

Dimension Information



L Inches (mm) 0.728
W Inches (mm) 0.315
D Inches (mm) 0.161
d1 Inches (mm) 0.091
d2 Inches (mm) 0.169
E Inches (mm) 0.189
F Inches (mm) 0.266
A Inches (mm) 0.059
T Inches (mm) 0.031

Specifications

Temperature Rating 150°C
Voltage Rating 600 V
Flammability Rating N/A
Amp Rating 16 AWG 18 Amps
 14 AWG 30 Amps

Packaging

Bag Qty 100
Master Bag Qty 1000

Certifications

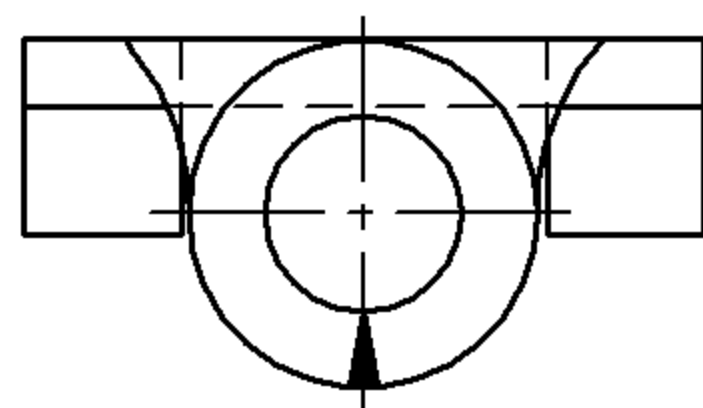
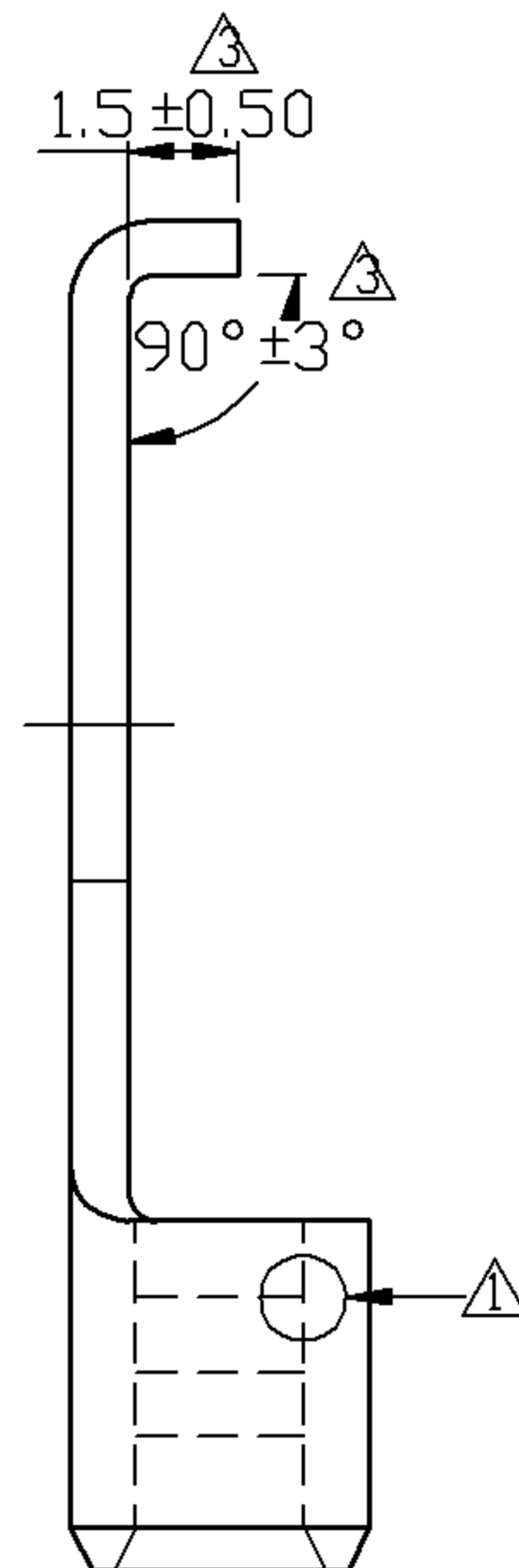
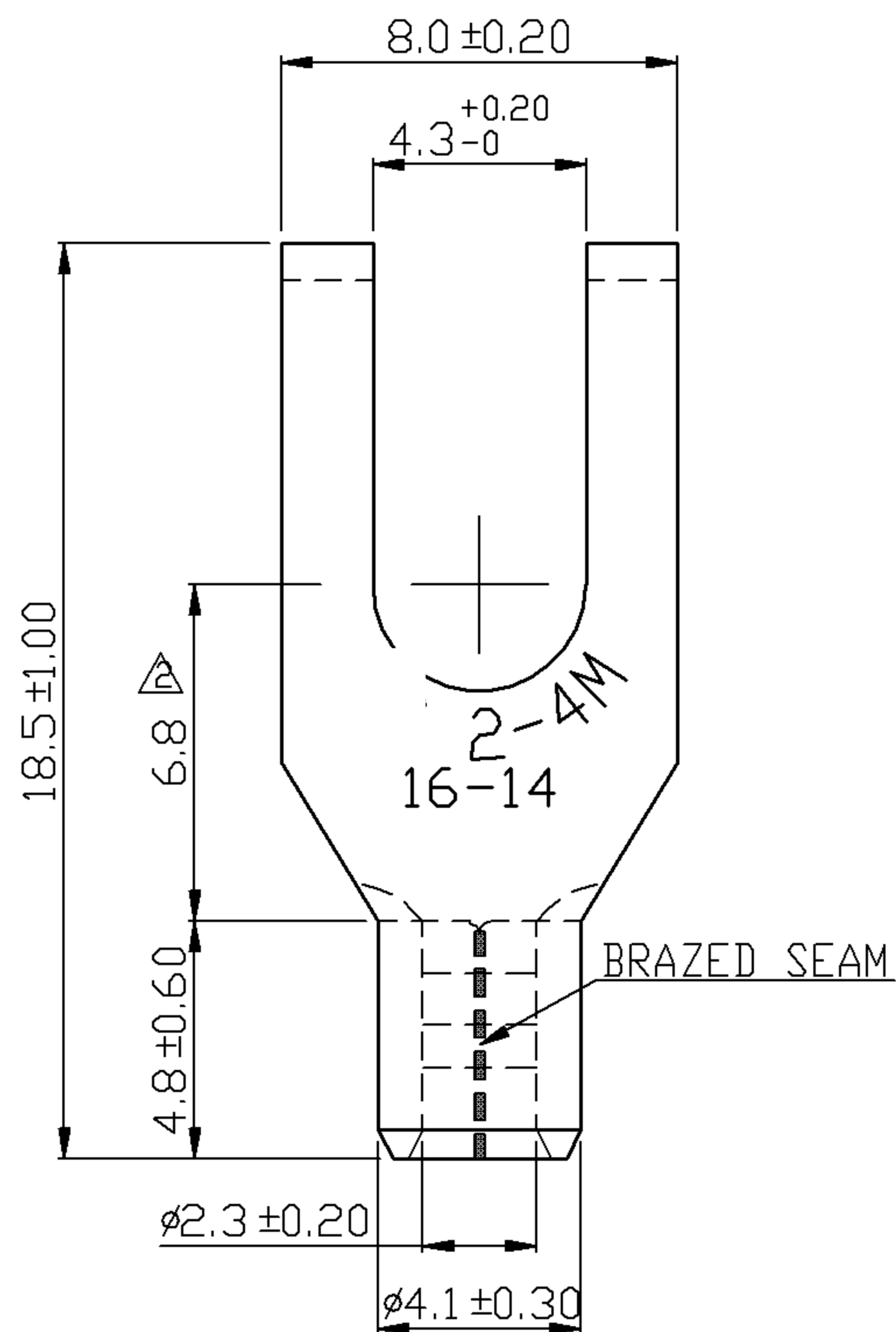
UL Yes
cUL Yes
RoHS Yes

Morris Products 53 Carey Road, Queensbury, NY 12804

www.morrisproducts.com



REV	DESCRIPTION	DATE
△	RDK-96036	2007/06/07
△	RDK-97127	2008/07/25
△	RDK-98020 AND UNIFIED TOLERANCE	2009/06/02



- NOTE :
- MAXIMUM ELECTRIC CURRENT :

A.W.G.	16	14	
AMP.	18	30	
 - WIRE RANGE : 16-14 A.W.G. (1.5-2.5 mm²)
 - SURFACE TREATMENT : TIN PLATED
 - THICKNESS : 0.8 mm

△ Tolerance Unless	
□ Otherwise Specified	
0 >	mm ± ANGLE
>	mm ± 0° > ° REF ±
>	mm ± ° > ° ±
>	mm ± ° > ° ±

NAME	NON-INSULATED FLANGE SPADE TERMINALS			UNIT	
PART NO.	11752	MATERIAL	COPPER	APPROVE	
NUMBER		SCALE	SHEET	PAGE	CHECKED
DATE	2006/05/02	4/1	1-3	10F2	DRAWN

Morris Products Inc.
53 Carey Rd Queensbury, NY 12804