



**Catalog Number** 11746  
**UPC Number** 60198611746  
**Description** Non-Insulated Flanged Fork Spade Terminals  
 22-16 AWG



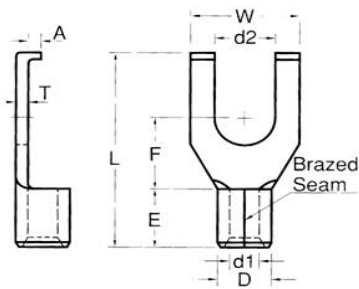
**Features**

Manufactured from high strength copper alloy  
 Electro-tin plated for corrosion resistance  
 Wire range stamped on the surface for easy interpretation  
 Brazed seam prevents splitting under maximum pressure  
 Serrated barrel provides excellent electrical contact and pull-out resistance characteristics at barrel  
 Flanged tabs on Tang for increased pull-out force resistance

**General**

**Insulation Type** N/A  
**Material** Copper  
**Finish** Electro-tin plated  
**Color** N/A  
**Wire Range** 22-16 AWG  
**Stud Size** #8

**Dimension Information**



**L Inches (mm)** 0.768  
**W Inches (mm)** 0.335  
**D Inches (mm)** 0.134  
**d1 Inches (mm)** 0.067  
**d2 Inches (mm)** 0.169  
**E Inches (mm)** 0.189  
**F Inches (mm)** 0.283  
**A Inches (mm)** 0.059  
**T Inches (mm)** 0.03

**Specifications**

**Temperature Rating** 150°C  
**Voltage Rating** 600 V  
**Flammability Rating** N/A  
**Amp Rating**

22 AWG	9 Amps
20 AWG	12 Amps
18 AWG	17 Amps
16 AWG	18 Amps

**Packaging**

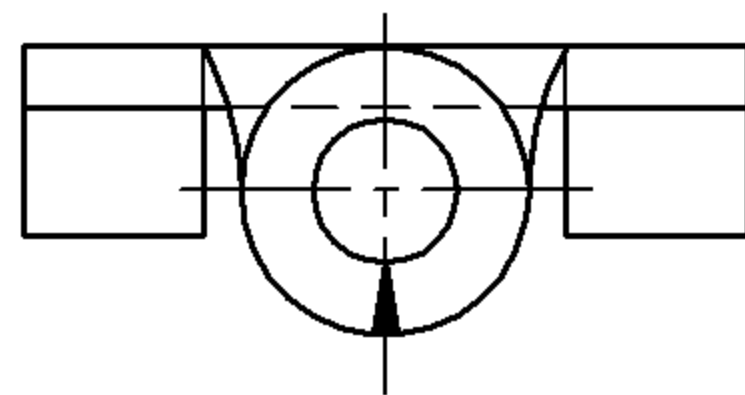
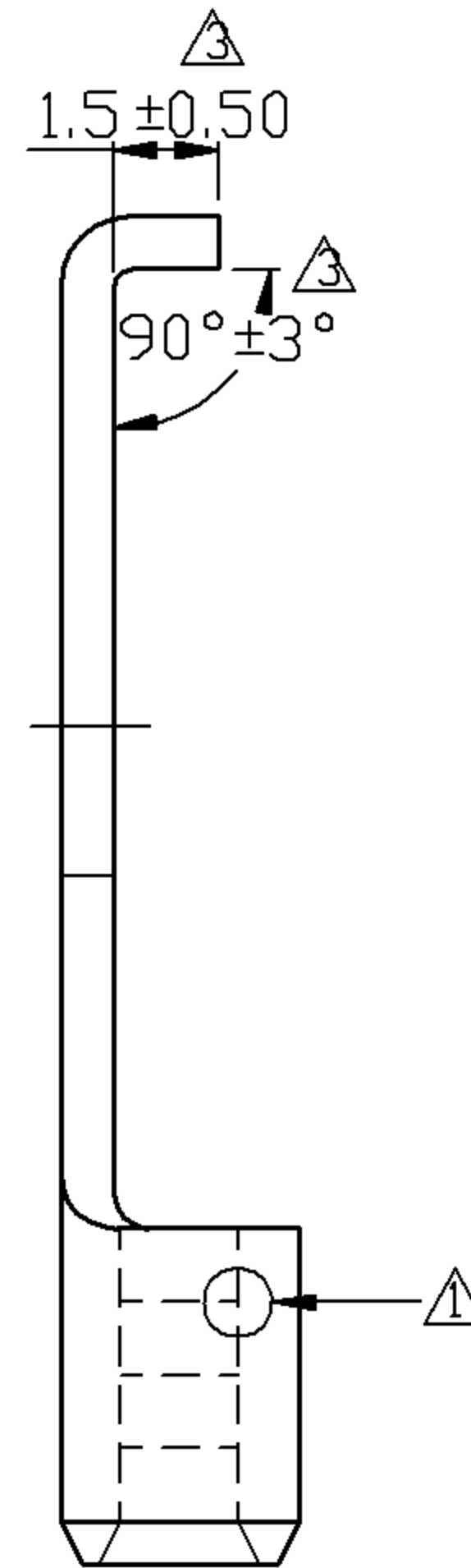
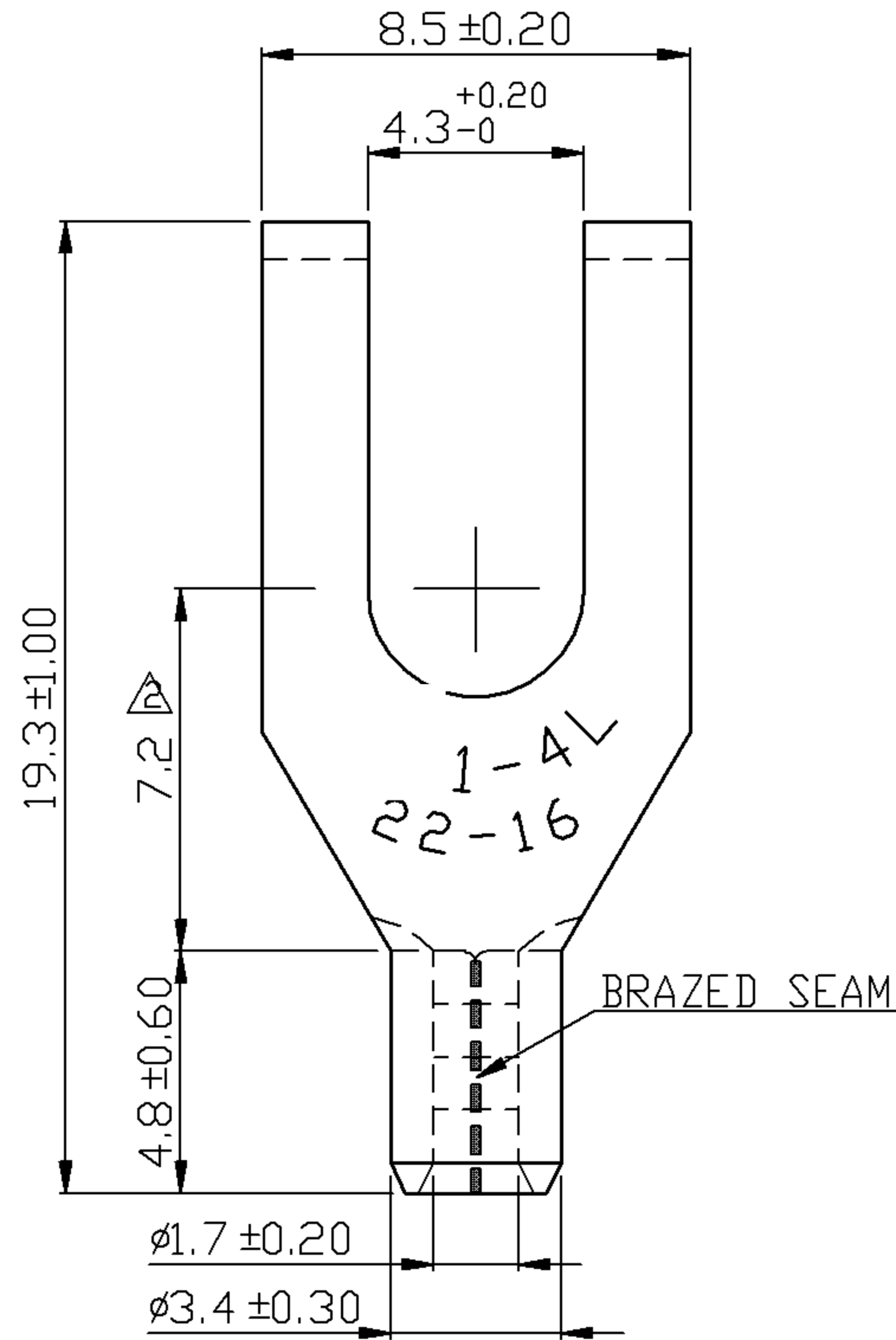
**Bag Qty** 100  
**Master Bag Qty** 1000

**Certifications**

**UL** Yes  
**cUL** Yes  
**RoHS** Yes



REV	DESCRIPTION	DATE
△	RDK-96036	2007/06/07
△	RDK-97127	2008/07/25
△	RDK-98020 AND UNIFIED TOLERANCE	2009/06/02



- NOTE :
- MAXIMUM ELECTRIC CURRENT : 

A.W.G.	22	20	18	16
AMP.	9	12	17	18
  - WIRE RANGE : 22-16 A.W.G. ( 0.5-1.5 mm<sup>2</sup> )
  - SURFACE TREATMENT : TIN PLATED
  - THICKNESS : 0.75 mm

△	Tolerance Unless		
□	Otherwise Specified		
0 >	mm ±	ANGLE	
>	mm ±	0° >	° REF ±
>	mm ±	>	° ±
>	mm ±	>	° ±

NAME	NON-INSULATED FLANGE SPADE TERMINALS			UNIT	
PART NO.	11746	MATERIAL	COPPER	APPROVE	
NUMBER		SCALE	SHEET	PAGE	CHECKED
DATE	2006/04/21	4/1	1-3	10F2	DRAWN

Morris Products Inc.  
53 Carey Rd Queensbury, NY 12804