



Catalog Number 11674
UPC Number 60198611674
Description Non-Insulated Locking Fork Spade Terminals
 12-10 AWG



Features

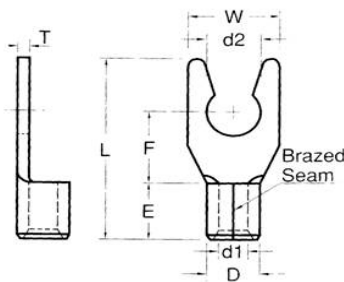
Manufactured from high strength copper alloy
 Electro-tin plated for corrosion resistance
 Wire range stamped on the surface for easy interpretation
 Brazed seam prevents splitting under maximum pressure
 Serrated barrel provides excellent electrical contact and pull-out resistance characteristics at barrel
 Locking tabs on Tang for increased pull-out force resistance

General

Insulation Type N/A
Material Copper
Finish Electro-tin plated
Color N/A
Wire Range 12-10 AWG
Stud Size #6

Dimension Information

L Inches (mm) 0.717
 W Inches (mm) 0.327
 D Inches (mm) 0.22
 d1 Inches (mm) 0.134
 d2 Inches (mm) 0.146
 E Inches (mm) 0.236
 F Inches (mm) 0.276
 T Inches (mm) 0.039



Specifications

Temperature Rating 150°C
Voltage Rating 600 V
Flammability Rating N/A
Amp Rating 12 AWG 35 Amps
 10 AWG 50 Amps

Packaging

Bag Qty 100
Master Bag Qty 1000

Certifications

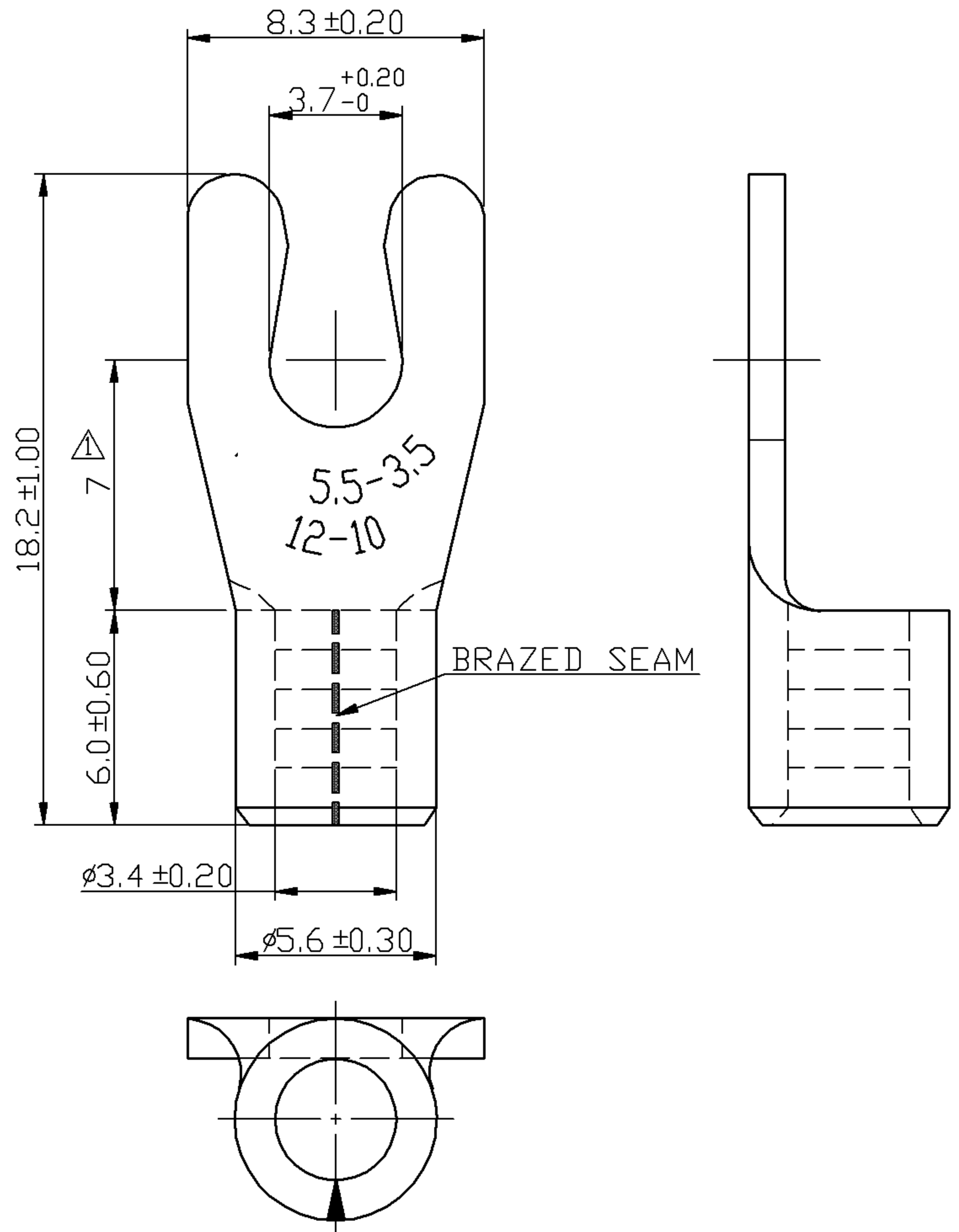
UL Yes
cUL Yes
RoHS Yes

Morris Products 53 Carey Road, Queensbury, NY 12804

www.morrisproducts.com



REV	DESCRIPTION	DATE
△	RDK-97127	2008/07/23
△	RDK-98020	2009/08/28



- NOTE :
1. MAXIMUM ELECTRIC CURRENT :

A.W.G.	12	10	
AMP.	35	50	
 2. WIRE RANGE : 12-10 A.W.G. (4 - 6 mm²)
 3. SURFACE TREATMENT : TIN PLATED
 4. THICKNESS : 1.00 mm

△ Tolerance Unless	
□ Otherwise Specified	
0 >	mm ± ANGLE
>	mm ± 0° > ° REF ±
>	mm ± ° > ° ±
>	mm ± ° > ° ±

NAME	NON-INSULATED LOCKING SPADE TERMINALS			UNIT	mm	
PART NO.	11674	MATERIAL	COPPER	APPROVE		
NUMBER		SCALE	SHEET PAGE	CHECKED		
DATE	2006/04/11	4/1	1-2 10F2	DRAWN		

Morris Products Inc.
53 Carey Rd Queensbury, NY 12804