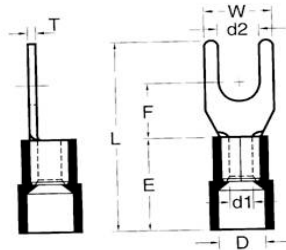




Catalog Number 11642
UPC Number 60198611642
Description Nylon Insulated Fork Spade Terminal
 8 AWG



Features

- Color Coded insulation for easy identification
- Manufactured from high strength copper alloy
- Electro-tin plated for corrosion resistance
- Easy entry expanded insulation eliminates strand “Hang Up”, increases the crimping rates and the reliability of the termination
- Wire range stamped on the surface for easy interpretation
- Brazed seams prevent splitting under maximum pressure
- Serrated barrel & flared insulation sleeve provides excellent contact & mechanical stress relief at insulation & barrel junction

General

Insulation Type Nylon
Material Copper Tubular/Copper Plate
Finish Electro-Tin Plated
Color Red
Wire Range 8
Stud Size #10

Dimension Information

L Inches (mm) 1.114
D Inches (mm) 0.315
D1 Inches (mm) 0.177
D2 Inches (mm) 0.209
E Inches (mm) 0.63
F Inches (mm) 0.319
W Inches (mm) 0.413
T Inches (mm) 0.047

Specifications

Temperature Rating 105°C
Voltage Rating 600 V
Flammability Rating UL94V-O
Amp Rating 8 AWG 70 Amps

Packaging

Bag Qty 100
Master Bag Qty 1000

Certifications

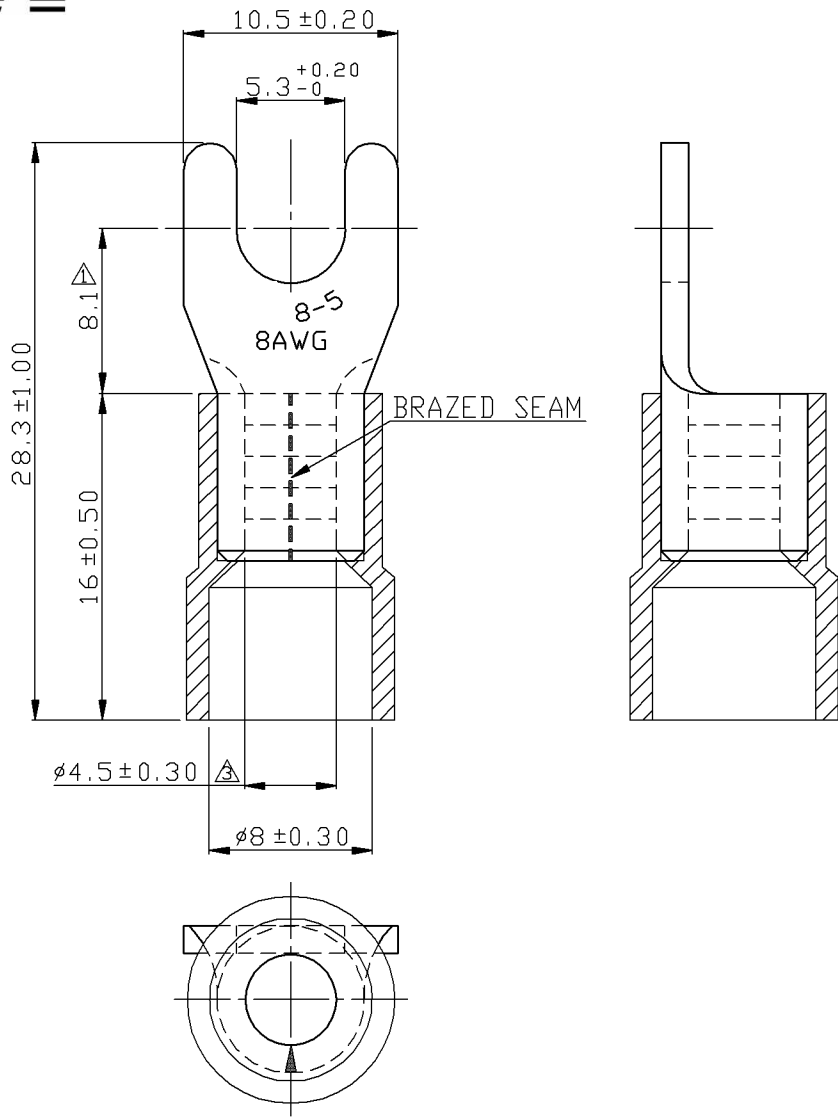
UL Yes
cUL Yes
RoHS Yes

Morris Products 53 Carey Road, Queensbury, NY 12804

www.morrisproducts.com



REV	DESCRIPTION	DATE
△	RDK-97127	2009/09/23
△	RDK-98020	2009/09/23
△	RDC-99213	2010/05/31



- NOTE :
1. MAXIMUM ELECTRIC CURRENT :

A.W.G.	8		
AMP.	70		
 2. MAXIMUM ELECTRICAL RATING : 105°C 600 VOLTS MAX.
 3. INSULATION MATERIAL : NYLON
 4. INSULATION COLOR : RED
 5. TERMINAL MATERIAL : COPPER
 6. WIRE RANGE : 8 A.W.G. (< 8 mm²)
 7. TERMINAL SURFACE TREATMENT : TIN PLATED
 8. TERMINAL THICKNESS : 1.20 mm

△ Tolerance Unless Otherwise Specified	
0 >	mm ± ANGLE
>	mm ± 0° ° REF ±
>	mm ± ° ° ±
>	mm ± ° ° ±

NAME	NYLON-INSULATED SPADE TERMINALS			UNIT	mm	
PART NO.	11642	MATERIAL	-----	APPROVE		
NUMBER		SCALE	SHEET	PAGE	CHECKED	
DATE	2007/05/10	3/1	1-3	10F2	DRAWN	

Morris Products Inc.