

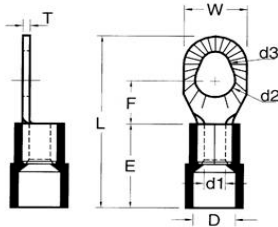


**Catalog Number** 11454  
**UPC Number** 60198611454  
**Description** Vinyl Insulated Multi-Stud Ring Terminals  
 16-14 AWG



**Features**

Color Coded insulation for easy identification  
 Manufactured from high strength copper alloy  
 Electro-tin plated for corrosion resistance  
 Expanded Insulation funnel entry eliminates strand “Hang Up”,  
 increases the crimping rates and the reliability of the termination  
 Wire range stamped on the surface for easy interpretation  
 Butted seam prevent splitting under maximum pressure  
 Serrated barrel & flared position of sleeve provides excellent  
 contact & mechanical stress relief at insulation & barrel junction



**General**

**Insulation Type** Vinyl  
**Material** Copper  
**Finish** Electro-tin plated  
**Color** Blue  
**Wire Range** 16-14 AWG  
**Stud Size** #6 #8 #10

**Dimension Information**

**L Inches (mm)** 1.024  
**W Inches (mm)** 0.339  
**D Inches (mm)** 0.177  
**d1 Inches (mm)** 0.091  
**d2 Inches (mm)** 0.209  
**E Inches (mm)** 0.453  
**F Inches (mm)** 0.311  
**T Inches (mm)** 0.031

**Specifications**

**Temperature Rating** 105°C  
**Voltage Rating** 600 V  
**Flammability Rating** UL94V-O  
**Amp Rating** 16 AWG 18 Amps  
 14 AWG 30 Amps

**Packaging**

**Bag Qty** 100  
**Master Bag Qty** 1000

**Certifications**

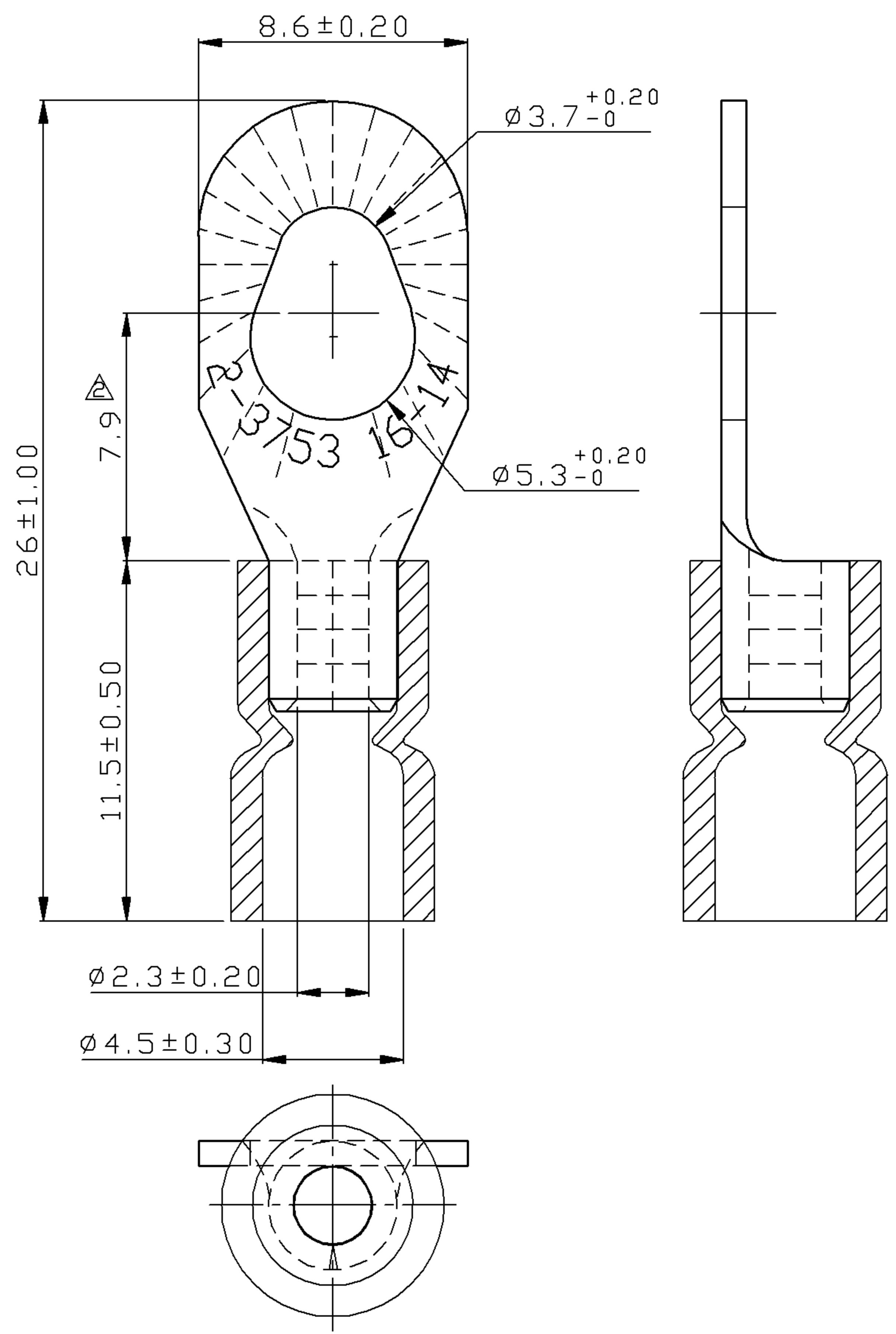
**UL** Yes  
**cUL** Yes  
**RoHS** Yes

Morris Products 53 Carey Road, Queensbury, NY 12804

[www.morrisproducts.com](http://www.morrisproducts.com)



REV	DESCRIPTION	DATE
△	RDK-97048	2009/02/25
△	RDK-97127	2009/02/25
△	RDK-98202	2009/02/25



- NOTE :
1. MAXIMUM ELECTRIC CURRENT : 

A.W.G.	16	14	
AMP.	18	30	
  2. MAXIMUM ELECTRICAL RATING : 105°C 600 VOLTS MAX.
  3. INSULATION MATERIAL : VINYL
  4. INSULATION COLOR : BLUE
  5. TERMINAL MATERIAL : COPPER
  6. WIRE RANGE : 16-14 A.W.G. ( 1.5-2.5 mm<sup>2</sup>)
  7. TERMINAL SURFACE TREATMENT : TIN PLATED
  8. TERMINAL THICKNESS : 0.80 mm

△ Tolerance Unless	
Otherwise Specified	
0 >	mm ± ANGLE
>	mm ± 0° ° REF ±
>	mm ± ° ° ±
>	mm ± ° ° ±

NAME	VINYL-INSULATED (EASY ENTRY) MULTIPLE-STUD RING TERMINALS			UNIT	
PART NO.	11454	MATERIAL	-----	APPROVE	
NUMBER		SCALE	SHEET	PAGE	CHECKED
DATE	2007/05/29	4/1	1-3	10F2	DRAWN

Morris Products Inc.  
53 Carey Rd. Queensbury, NY 12804