

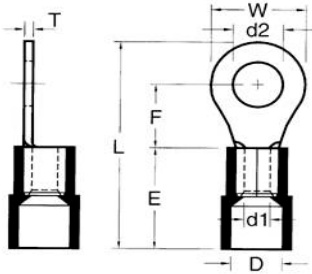


Catalog Number 11406
UPC Number 60198611406
Description Nylon Insulated Ring Terminals
 4 AWG



Features

Color Coded insulation for easy identification
 Manufactured from high strength copper alloy
 Electro-tin plated for corrosion resistance
 Expanded Insulation funnel entry eliminates strand “Hang Up”, increases the crimping rates and the reliability of the termination
 Wire range stamped on the surface for easy interpretation
 Brazed seam prevent splitting under maximum pressure
 Serrated barrel & flared position of sleeve provides excellent contact & mechanical stress relief at insulation & barrel junction



General

Insulation Type Nylon
Material Copper
Finish Electro-tin plated
Color Yellow
Wire Range 4 AWG
Stud Size #10

Dimension Information

L Inches (mm) 1.78
W Inches (mm) 0.48
D Inches (mm) 0.512
d1 Inches (mm) 0.303
d2 Inches (mm) 0.209
E Inches (mm) 0.945
F Inches (mm) 0.614
T Inches (mm) 0.067

Specifications

Temperature Rating 105°C
Voltage Rating 600 V
Flammability Rating UL94V-O
Amp Rating 4 AWG 125 Amps

Packaging

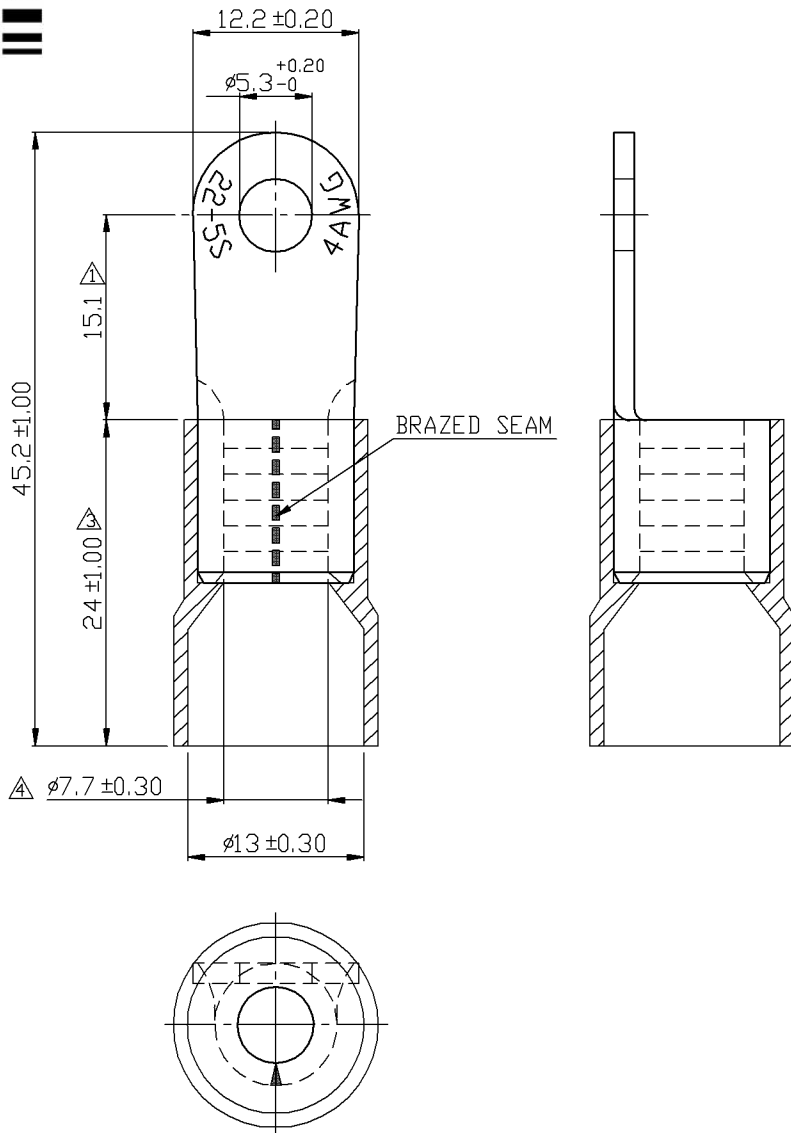
Bag Qty 100
Master Bag Qty 1000

Certifications

UL Yes
cUL Yes
RoHS Yes

Morris Products 53 Carey Road, Queensbury, NY 12804

www.morrisproducts.com



REV	DESCRIPTION	DATE
△	RDK-98020	2009/09/01
△	B210- -91018	2009/09/02
△	RDC-99171	2010/06/15

NOTE :

1. MAXIMUM ELECTRIC CURRENT : $\frac{\text{A.W.G.} | 4}{\text{AMP.} | 125}$
2. MAXIMUM ELECTRICAL RATING : 105°C 600 VOLTS MAX.
3. INSULATION MATERIAL : NYLON
4. INSULATION COLOR : YELLOW
5. TERMINAL MATERIAL : COPPER
6. WIRE RANGE : 4 A.W.G. (22 mm^2)
7. TERMINAL SURFACE TREATMENT : TIN PLATED
8. TERMINAL THICKNESS : 1.7 mm

△	Tolerance Unless Otherwise Specified	
0 >	mm ±	ANGLE
>	mm ±	0° ° REF ±
>	mm ±	° ° ±
>	mm ±	° ° ±

NAME	NYLON-INSULATED RING TERMINALS				UNIT	mm	
PART NO.	11406	MATERIAL	----	APPROVE			
NUMBER		SCALE	SHEET	PAGE	CHECKED		
DATE	2006/05/29	2/1	1-4	10F2	DRAWN		

Morris Products Inc.