



Catalog Number 11084
UPC Number 60198611084
Description Non-Insulated Ring Terminals
 8 AWG



Features

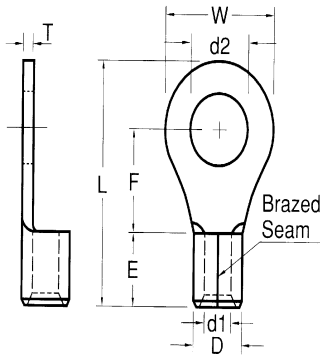
- Non-Insulated
- Manufactured from high strength copper alloy
- Electro-tin plated for corrosion resistance
- Brazed seam prevents splitting under maximum pressure
- Wire range stamped on the surface for easy interpretation

General

Insulation Type None
Material Copper
Finish Electro-tin plated
Color N/A
Wire Range 8 AWG
Stud Size 5/16

Dimension Information

L Inches (mm) 1.161
W Inches (mm) 0.591
D Inches (mm) 0.283
d1 Inches (mm) 0.177
d2 Inches (mm) 0.331
E Inches (mm) 0.337
F Inches (mm) 0.543
T Inches (mm) 0.047



Specifications

Temperature Rating 150°C
Voltage Rating 600 V
Flammability Rating N/A
Amp Rating 8 AWG 70 Amps

Packaging

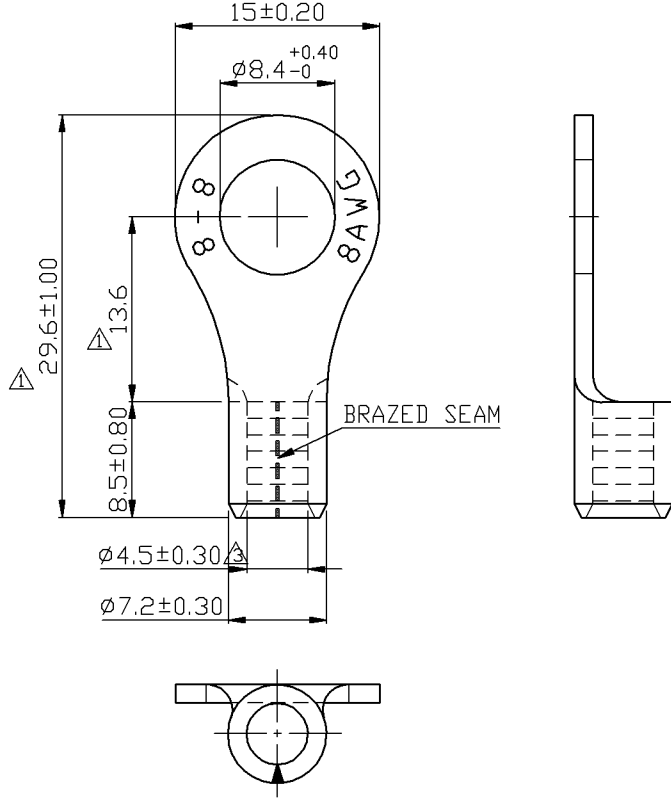
Bag Qty 100
Master Bag Qty 1000

Certifications

UL Yes
cUL Yes
RoHS Yes



REV	DESCRIPTION	DATE
△	RDK-97127	2008/07/18
△	RDK-98020	2009/09/18
△	RDC-99179	2010/05/03



- NOTE :
1. MAXIMUM ELECTRIC CURRENT :

A.W.G.	8		
AMP.	70		
 2. WIRE RANGE : 8 A.W.G. (8 mm²)
 3. SURFACE TREATMENT : TIN PLATED
 4. THICKNESS : 1.20 mm

△ Tolerance Unless Otherwise Specified	
0 >	mm ± ANGLE
>	mm ± 0° ° REF ±
>	mm ± ° ° ±
>	mm ± ° ° ±

NAME	NON-INSULATED RING TERMINALS			UNIT	
PART NO.	11084	MATERIAL	COPPER	APPROVE	
NUMBER		SCALE	SHEET	PAGE	CHECKED
DATE	2006/09/25	2/1	1-3	10F2	DRAWN

Morris Products Inc.