



Catalog Number 103012
UPC Number 60198610312
Description Vinyl Insulated Female Disconnect Connectors
22-16



Features

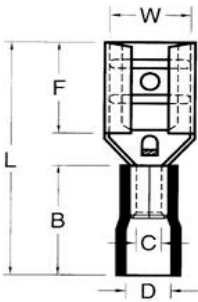
- Vinyl Color Coded insulation for easy identification
- Manufactured from high strength copper alloy
- Electro-tin plated for corrosion resistance
- Expanded insulation eliminates strand “Hang Up”, provides strain relief & excellent UV, temperature and chemical resistance
- Wire range stamped on the surface for easy interpretation
- Butted seams prevent splitting under maximum pressure
- Serrated barrel provides excellent pull-out force resistance & electrical contact

General

Insulation Type Vinyl
Material Brass
Finish Electro-Tin Plated
Color Red
Wire Range 22-16
Tab Size .020 X .187

Dimension Information

T Inches (mm) 0.016
L Inches (mm) 0.748
B Inches (mm) 0.394
C Inches (mm) 0.067
D Inches (mm) 0.157
F Inches (mm) 0.252
W Inches (mm) 0.197



Specifications

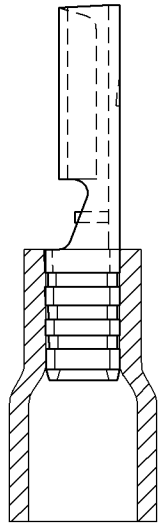
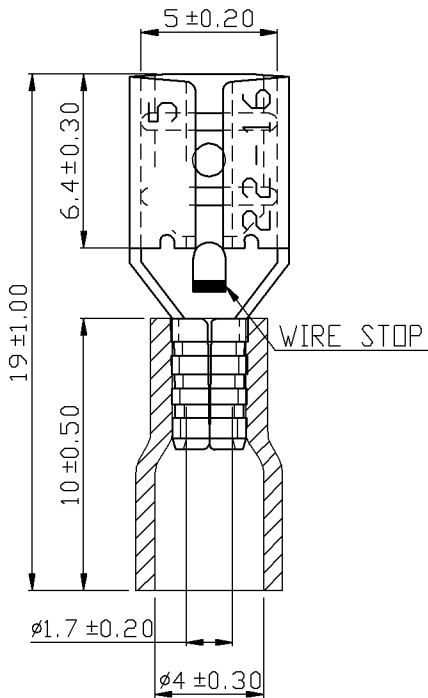
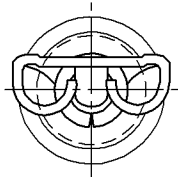
Temperature Rating 167°F (75°C)
Voltage Rating 300 V
Flammability Rating UL94V-O
Amp Rating 22 AWG 9 Amps
20 AWG 12 Amps
18 AWG 17 Amps
16 AWG 18 Amps

Packaging

Bag Qty 100
Master Bag Qty 1000

Certifications

UL Yes
cUL Yes
RoHS Yes



REV	DESCRIPTION	DATE
△	RDC-98017	2007/11/02

NOTE :

1. MAXIMUM ELECTRIC CURRENT :

A.W.G.	22	20	18	16
AMP.	3	4	7	10
2. MAXIMUM ELECTRICAL RATING : 75°C 300 VOLTS MAX.
3. INSULATION MATERIAL : VINYL
4. INSULATION COLOR : RED
5. TERMINAL MATERIAL : BRASS
6. WIRE RANGE : 22-16 A.W.G. (0.5-1.5 mm²)
7. NEMA TAB : 0.020 inch * 0.187 inch (0.5 mm * 4.75 mm)
8. TERMINAL SURFACE TREATMENT : TIN PLATED
9. TERMINAL THICKNESS : 0.35 mm

Tolerance Unless Otherwise Specified	
0 > 6 mm ± 0.20	ANGLE
6 > 18 mm ± 0.30	0° > ° REF ±
18 > 30 mm ± 0.40	° > ° ±
30 > 75 mm ± 0.50	° > ° ±

NAME	VINYL-INSULATED FEMALE DISCONNECTORS			UNIT	mm	
PART NO.	10312	MATERIAL	-----	APPROVE		
NUMBER		SCALE	SHEET	PAGE	CHECKED	
DATE	2006/04/26	4/1	1-1	10F2	DRAWN	

Morris Products Inc.