

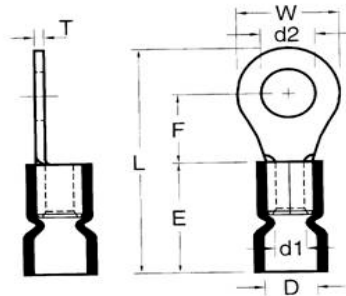


Catalog Number 10032
UPC Number 60198610032
Description Vinyl Insulated Ring Terminals
 16-14 AWG



Features

- Color Coded insulation for easy identification
- Manufactured from high strength copper alloy
- Electro-tin plated for corrosion resistance
- Easy entry expanded insulation eliminates strand “Hang Up”, increases the crimping rates and the reliability of the termination
- Wire range stamped on the surface for easy interpretation
- Butted seams prevent splitting under maximum pressure
- Serrated barrel & flared position of sleeves provide excellent contact & mechanical stress relief at insulation & barrel junction
- Packed in Zip Lock plastic bags with punched hole for pegboard hanging



General

Insulation Type Vinyl
Material Copper
Finish Electro-tin plated
Color Blue
Wire Range 16-14 AWG
Stud Size #6

Dimension Information

L Inches (mm) 0.823
W Inches (mm) 0.26
D Inches (mm) 0.177
d1 Inches (mm) 0.091
d2 Inches (mm) 0.146
E Inches (mm) 0.453
F Inches (mm) 0.248
T Inches (mm) 0.031

Specifications

Temperature Rating 105°C
Voltage Rating 600 V
Flammability Rating UL94V-O
Amp Rating 16 AWG 18 Amps
 14 AWG 30 Amps

Packaging

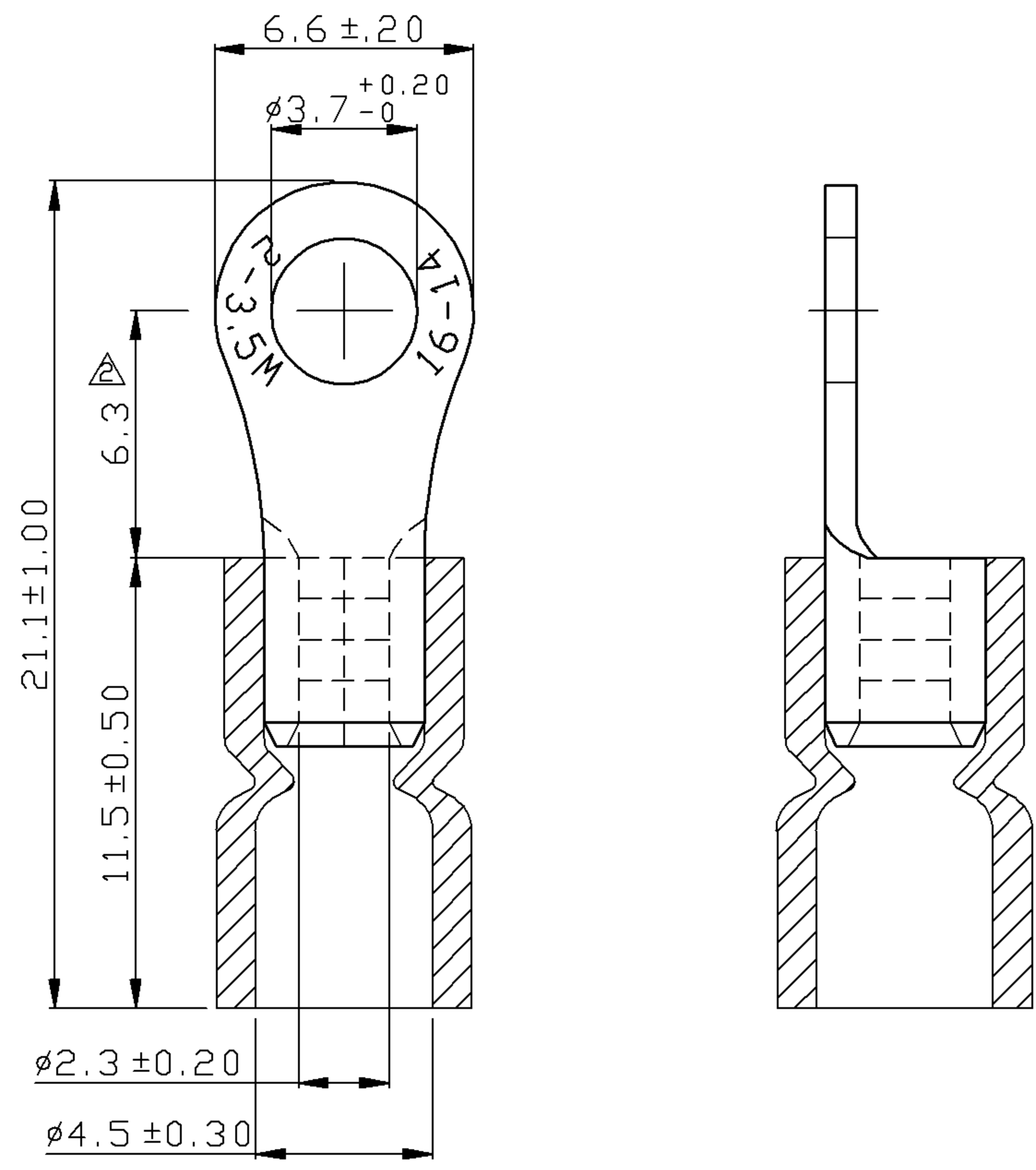
Bag Qty 100
Master Bag Qty 1000

Certifications

UL Yes
cUL Yes
RoHS Yes

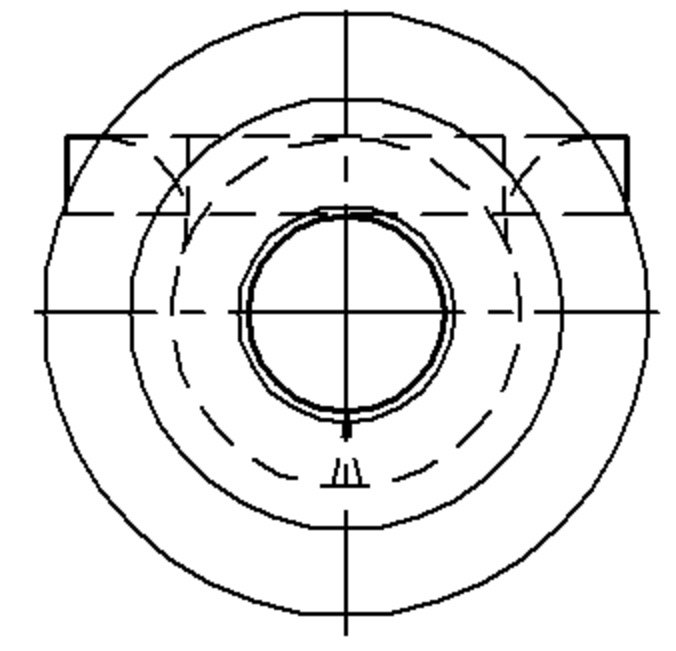


REV	DESCRIPTION	DATE
△	RDK-97048	2009/08/21
△	RDK-97127	2009/08/21
△	RDK-98020	2009/08/21



- NOTE :
1. MAXIMUM ELECTRIC CURRENT :

A.W.G.	16	14	
AMP.	18	30	
 2. MAXIMUM ELECTRICAL RATING : 105°C 600 VOLTS MAX.
 3. INSULATION MATERIAL : VINYL
 4. INSULATION COLOR : BLUE
 5. TERMINAL MATERIAL : COPPER
 6. WIRE RANGE : 16-14 A.W.G. (1.5-2.5 mm²)
 7. TERMINAL SURFACE TREATMENT : TIN PLATED
 8. TERMINAL THICKNESS : 0.80 mm



△ Tolerance Unless	
□ Otherwise Specified	
0 >	mm ± ANGLE
>	mm ± 0° ° REF ±
>	mm ± ° ° ±
>	mm ± ° ° ±

NAME	VINYL-INSULATED(EASY ENTRY) RING TERMINALS			UNIT	mm	
PART NO.	10032	MATERIAL	-----	APPROVE		
NUMBER		SCALE	SHEET	PAGE	CHECKED	
DATE	2007/08/17	4/1	1-3	10F2	DRAWN	

Morris Products Inc.
53 Carey rd. Queensbury, Ny 12804